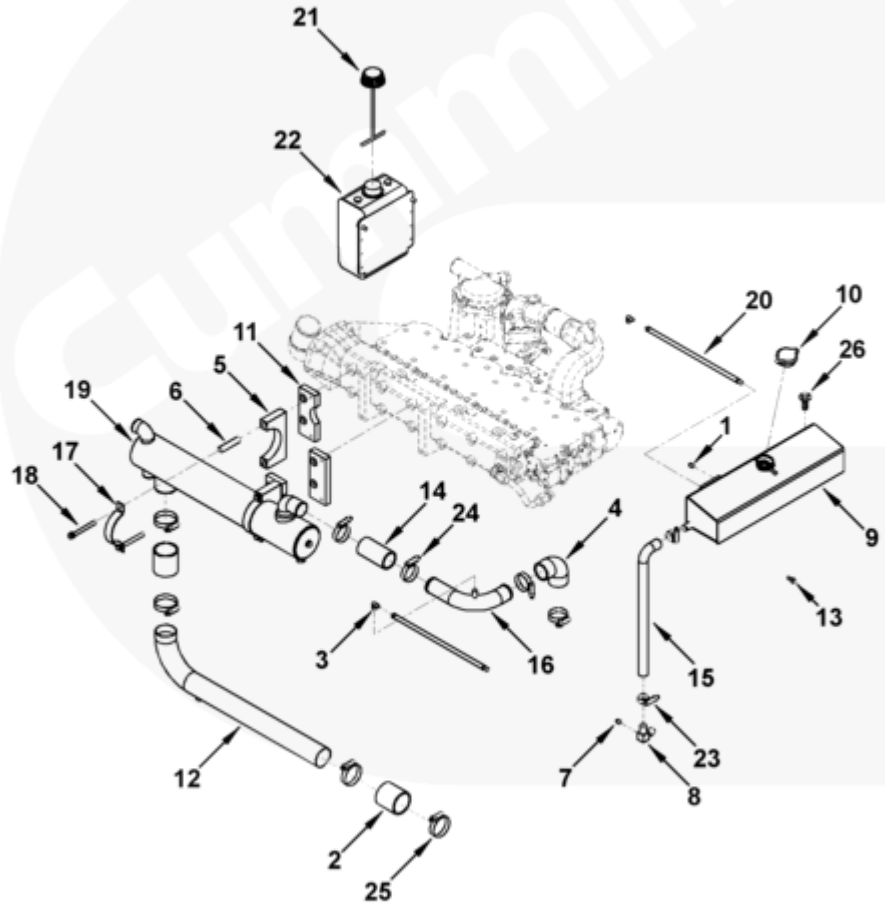




Parts Catalog - Option Detail

Electronic Parts Catalog - Option Detail				
Option	Group	Graphic	Film Card	Date
HX9019-05	08.10	hx956gl	T	15-MAR-94
Engines	4B3.9, 6A3.4, 6B5.9, B GAS INTERNATIONAL CM556, B4.5, B4.5 CM2350 B129B, B4.5 CM2350 B146C, B4.5 CM2350 B147B, B4.5 RGT, B4.5S, B5.9 G, B5.9 GAS PLUS CM556, B5.9 LPG, B5.9 LPG PLUS CM556, B6.7 CM2350 B121B, B6.7 CM2350 B135B, B6.7 CM2350 B136C, B6.7 CM2350 B148B, B6.7 G CMOH6.0 B125, B6.7N CM2380 B150B, B6.7S, F3.8 CM2350 F120B, F3.8 CM2350 F128C, F3.8 CM2350 F132B, F3.8 F102, G3.9, G5.9, G5.9 CM558, ISB (CHRYSLER), ISB CM2150, ISB CM2150 E, ISB CM550, ISB CM850, ISB/ISD4.5 CM2150 B119, ISB/ISD4.5 CM2150 SN, ISB/ISD6.7 CM2150 B120, ISB/ISD6.7 CM2150 SN, ISB/ISD6.7 CM2880 B126, ISB3.9 CM2220 B107, ISB4.5 CM2150, ISB5.9G CM2180, ISB6.7 2010 DCX PICKUP, ISB6.7 2013 DCX CHASSIS CAB, ISB6.7 CM2150 SQ, ISB6.7 CM2250, ISB6.7 CM2350 B101, ISB6.7 CM2350 B103, ISB6.7 CM2350 B142, ISB6.7 CM2670 B153B, ISB6.7 G CM2180 B118, ISBE CM2150, ISBE CM800, ISBE2/ISBE3 CM850, ISBE4 CM850, ISD4.5 CM2150, ISD6.7 CM2880 D101, ISF2.8 CM2220, ISF2.8 CM2220 AN, ISF2.8 CM2220 EC, ISF2.8 CM2220 ECF2, ISF2.8 CM2220 F101, ISF2.8 CM2220 F117, ISF2.8 CM2220 F122, ISF2.8 CM2220 F126, ISF2.8 CM2220 F129, ISF2.8 CM2220 IAN, ISF3.8 CM2220, ISF3.8 CM2220 AN, ISF3.8 CM2220 F103, ISF3.8 CM2220 F110, ISF3.8 CM2220 F116, ISF3.8 CM2220 F134B, ISF3.8 CM2220 IAN, ISF3.8 CM2350 F109, ISF4.5 CM2220 F123, ISG11 CM2880 G106, ISG11 CM2880 G108, ISG12 CM2880 G107, ISG12 CM2880 G109, ISG12 G CMOH6.0 G111, QSB3.9 30 CM550, QSB3.9 CM2880 B138, QSB4.5 30 CM550, QSB4.5 CM2150 B108, QSB4.5 CM2250 B131, QSB4.5 CM2250 EC, QSB4.5 CM2350 B106, QSB4.5 CM2350 B122			



hx956gl

SMALL | MEDIUM | LARGE

Cart	Ref No	Part Number	Part Description	Required	Remarks
<div style="border: 1px solid black; padding: 2px; display: inline-block;">View My Cart</div>					
		HX9019-05	Heat Exchanger		Exchanger, heat...(More)
					Turbocharger Location: Rear
					- Low Profile
					Application: Marine
					Exchangers Coolant Source:
					Sea Water upgrade: No
					Engine Cylinders: 6 parts
					provided in a kit: No
					Exhaust Manifold Location:

					Rear plumbed t water inlet:
					Yes
					Coolant Package Type: Water-
					Water
					Max Water Inlet Temp Degrees
					F.: 93
					DEP may substitute 3281628
					for 3907022
					Filler cap.
					DEP may use 3064947 in place
					of S-949-B plug.
<input type="checkbox"/>	1	S 949 B	Pipe Plug	3	1/8 NPT
<input type="checkbox"/>	2	63549	Plain Hose	2	
<input type="checkbox"/>	3	68139	Male Adapter Elbow	2	1/8 NPTF X 7/16 - 20 (90).
<input type="checkbox"/>	4	176743	Elbow Hose	1	
<input type="checkbox"/>		3281793	Vibration Isolator	2	
	5	3281791	Vibration Isolator	1	
	6	3281792	Mounting Spacer	1	
		3908225	Hose Coupling	1	
<input type="checkbox"/>	7	3906619	Pipe Plug	1	1/8 NPT.
<input type="checkbox"/>	8	3908221	Elbow Hose Coupling	1	
<input type="checkbox"/>	9	3915547	Expansion Tank	1	
<input type="checkbox"/>	10	3907022	Filler Cap	1	
<input type="checkbox"/>	11	3920425	Heat Exchanger Bracket	2	
	12	3905052	Water Transfer Tube	1	
<input type="checkbox"/>	13	3900630	Hexagon Flange Head Cap Screw	2	M8 X 1.25 X 20
<input type="checkbox"/>	14	3275209	Plain Hose	1	
<input type="checkbox"/>	15	3905089	Plain Hose	1	
<input type="checkbox"/>	16	3905047	Water Transfer Tube	1	

<input type="checkbox"/>	17	3905057	Retaining Clamp	2	
<input type="checkbox"/>	18	3908226	Hexagon Flange Head Cap Screw	4	M10 X 1.50 X 95.
<input type="checkbox"/>	19	3910583	Heat Exchanger	1	
<input type="checkbox"/>	20	3916107	Flexible Hose	2	
<input type="checkbox"/>		3922500	Coolant Recovery Reservoir	1	
<input type="checkbox"/>	21	3921339	Expansion Tank Cap	1	
	22	3921480	Coolant Recovery Reservoir	1	
<input type="checkbox"/>	23	3922842	Hose Clamp	2	
<input type="checkbox"/>	24	3922847	Hose Clamp	4	
<input type="checkbox"/>	25	3922849	Hose Clamp	4	
<input type="checkbox"/>	26	3903464	Hexagon Flange Head Cap Screw	2	M10 X 1.50 X 40.